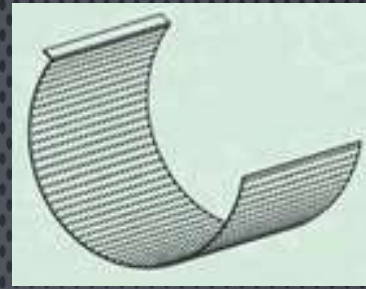
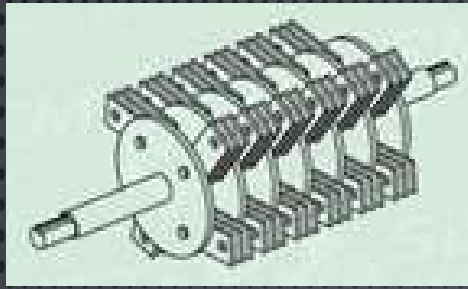




ÖĞÜTÜCÜ MAKİNALAR HAMMER GRINDER MACHINES





FEATURE

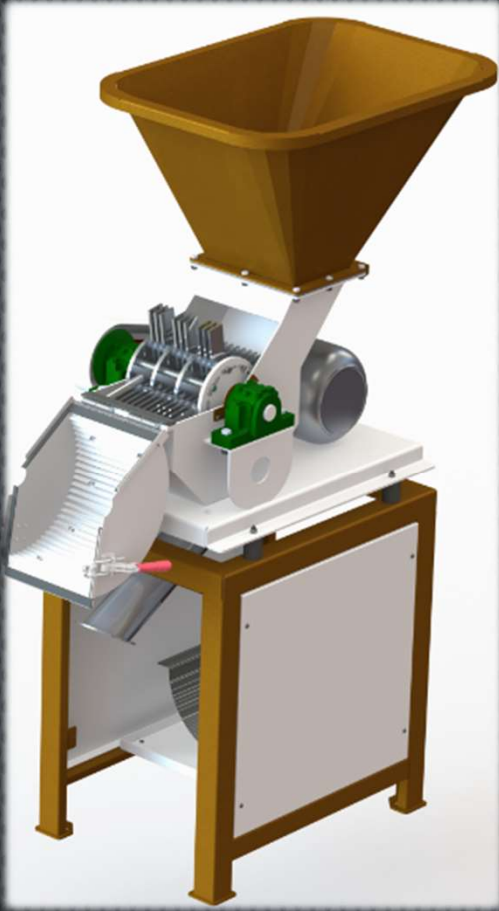
Multiple use for every kind of crushing materials
Except oily ,sticky materials

APPLICATION

Crush for Foodstuff , Chemical , Plastic, Mineral ,
Stone , Dye , Feed , Herbs , Gypsum , Oyster , Shell ,
Glass , Paper....etc
Stone , Dye , Feed , Herbs , Gypsum ,
Oyster , Shell , Glass , Paper....etc

MODEL	Motor Gücü Power KW-1400	KAPASİTE Capacity KG/Saat	AĞIRLIK Weight Kg	BIÇAK SAYISI Blade Number adet	ELEK ÇAPI Screen Diameter Ø (mm)	A (mm)	B (mm)	C (mm)
MKS - Ö 42	4	500 - 1000	500	42	KULLANIM AMACINA GÖRE SEÇİLİR (2-3-4-5-8-10)	1720	590	830
MKS - Ö 5 1/2	10 - 15	2000 - 4000	740	72		1720	610	850
MKS - Ö 9,2	15 - 20	3000 - 5000	930	96		1720	630	860





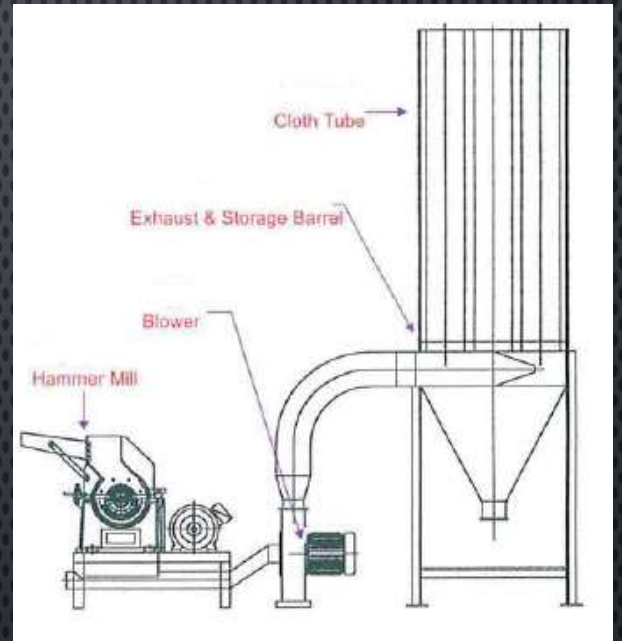
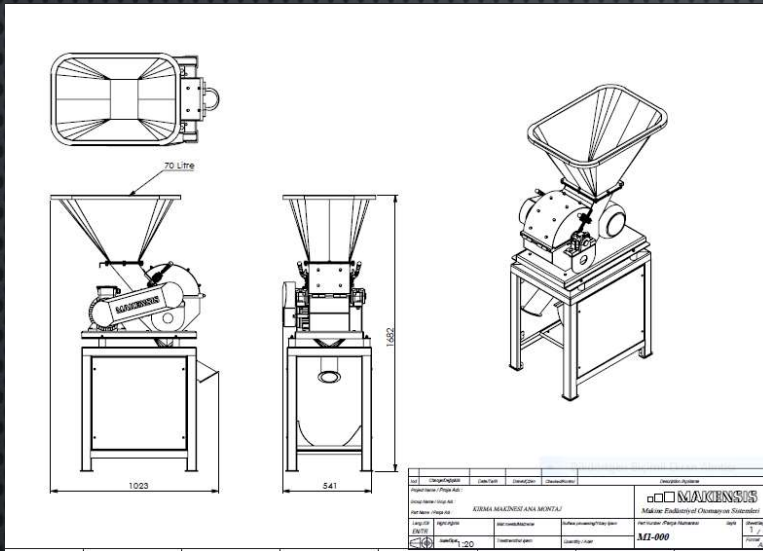
COMPLETELY STAINLESS

FLOWCHART

With high speed rotation of knives, materials are crushed by the impact and cut force .If material size remains big, impact will exceed the centrifugal force ,Knives will recede (moving back and forth) to protect knife shaft and crushing efficiency remains the same

*LEAD-FREE PAINT METAL BODY

*STAINLESS METAL BODY



Makensis Makine Endüstriyel Otomasyon Sanayi ve Tic.Ltd.Şti.
Balabancık mh. 2. sk No:58 Mudanya/Bursa
Tel : +90 224 441 95 80
Fax : +90 224 441 95 81
E-mail: info@makensis.com.tr
Web : <http://www.makensis.com.tr/>