

# MAKENSİS PRESENTATION

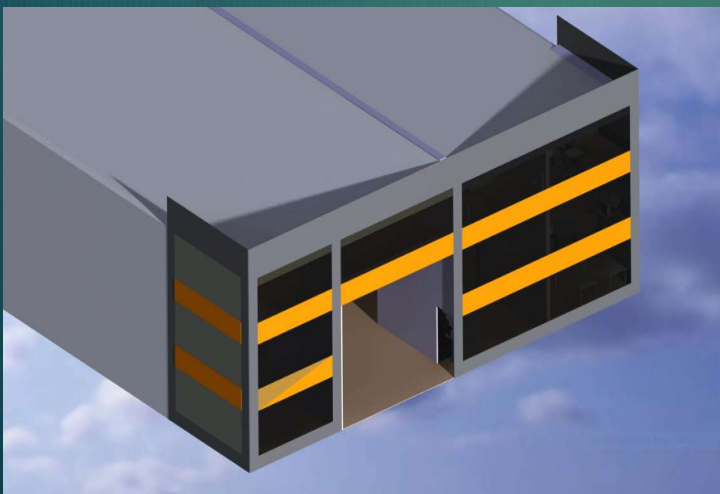
- ▶ ENGINEERING SERVICES DESING SPECIAL MACHINE
- ▶ MACHINE PARTS MANUFACTURING
- ▶ MACHINE AND PROJECT CONSTRUCTION MANUFACTURING
- ▶ PACKAGING MACHINES
- ▶ ELECTROSTATIC POWDER COATING PROCEDURES

Makine Endüstriyel Otomasyon Sanayi ve Tic.Ltd.Şti.  
Balabancık Mah. 2.Sk. No:58 Mudanya / Bursa  
Tel : +90 224 441 95 80 - 05321315511  
Fax : +90 224 441 95 81  
E-mail: [info@makensis.com.tr](mailto:info@makensis.com.tr)  
Web : <http://www.makensis.com.tr/>

Machine maintenance and revision services with its partnership, it focused mainly on the complete installation of 5-axis tool grinding and grinding machines and the repair of their defects.

Increasing special project and machine demands, strengthening the design team and continuing to grow

- ▶ In 2021
- ▶ Electrostatic powder painting and sandblasting facility in
- ▶ 2000 m<sup>2</sup> closed area
- ▶ 2000 m<sup>2</sup> area in Balabancık region, special machinery manufacturing
- ▶ Metal construction works



# SPECIAL MACHINERY AND PROJECTS

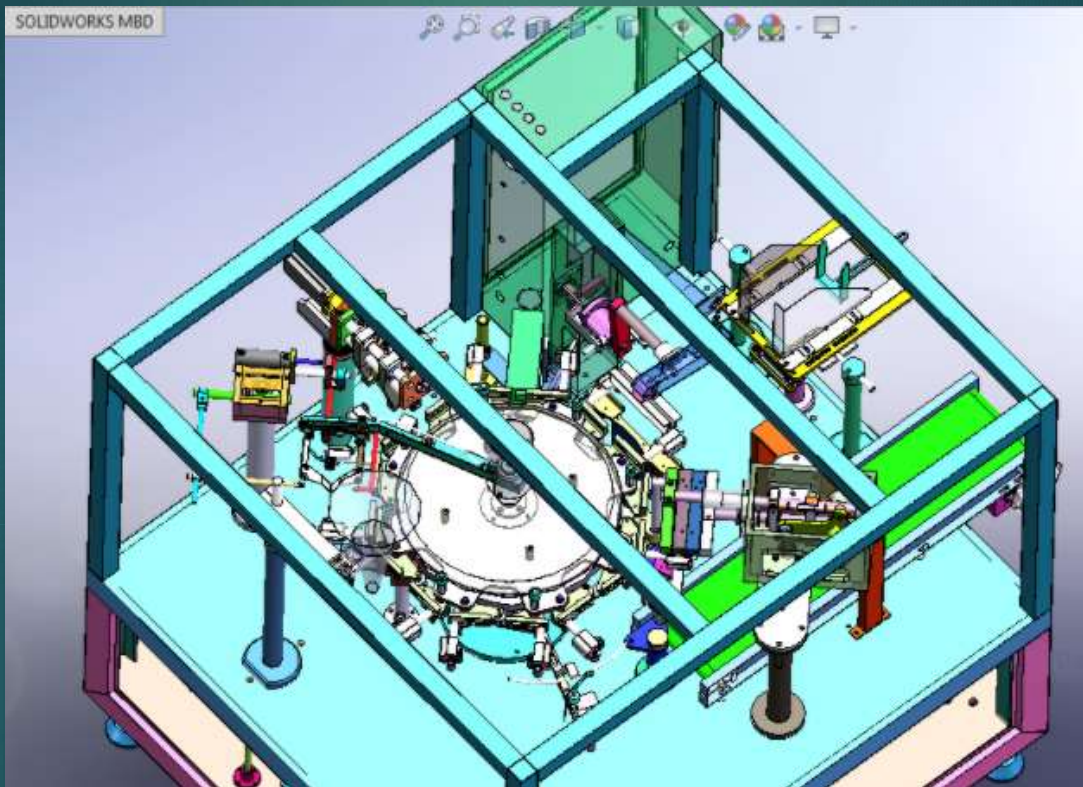
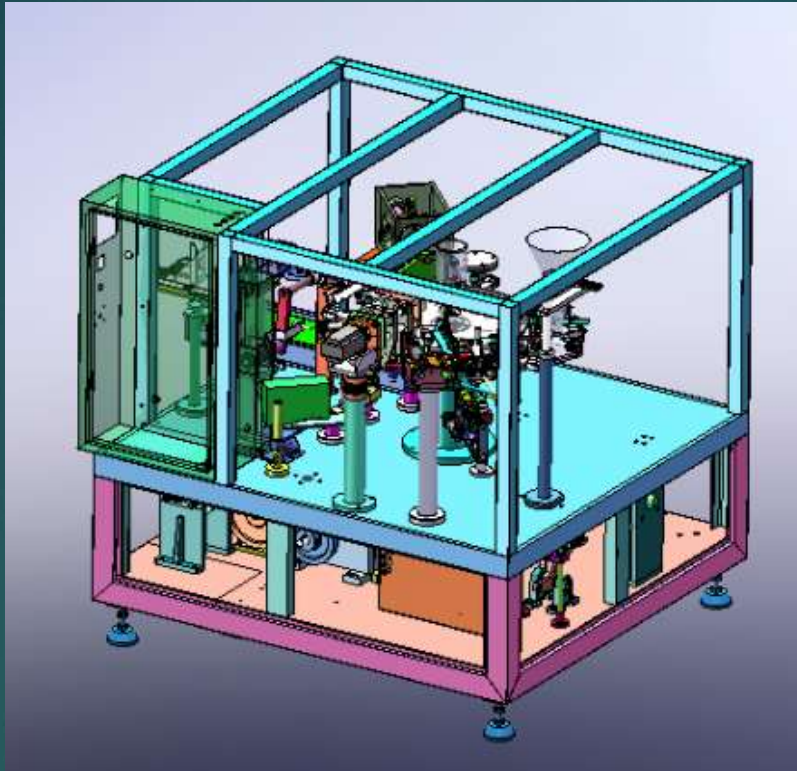


FAURECIA CLIO 5 FRONT CONSOLE ASSEMBLY LINE

**makensis**  
Makine Endüstriyel Otomasyon Sistemleri



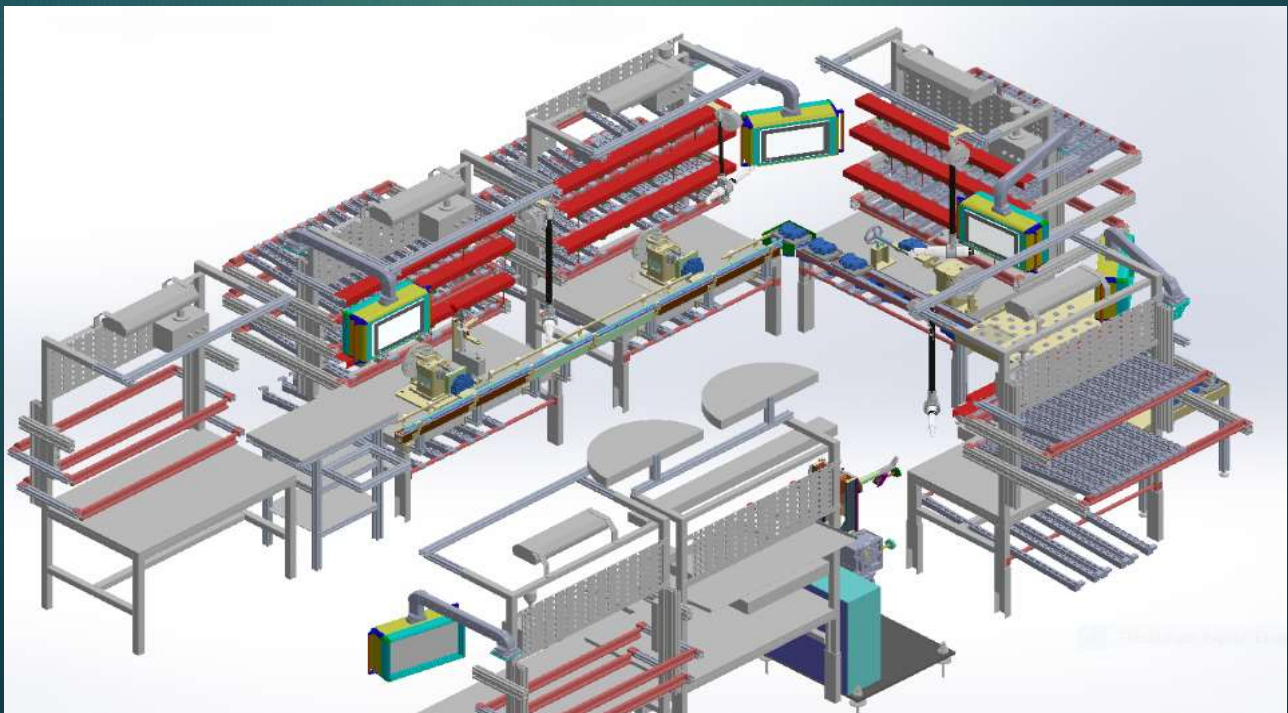
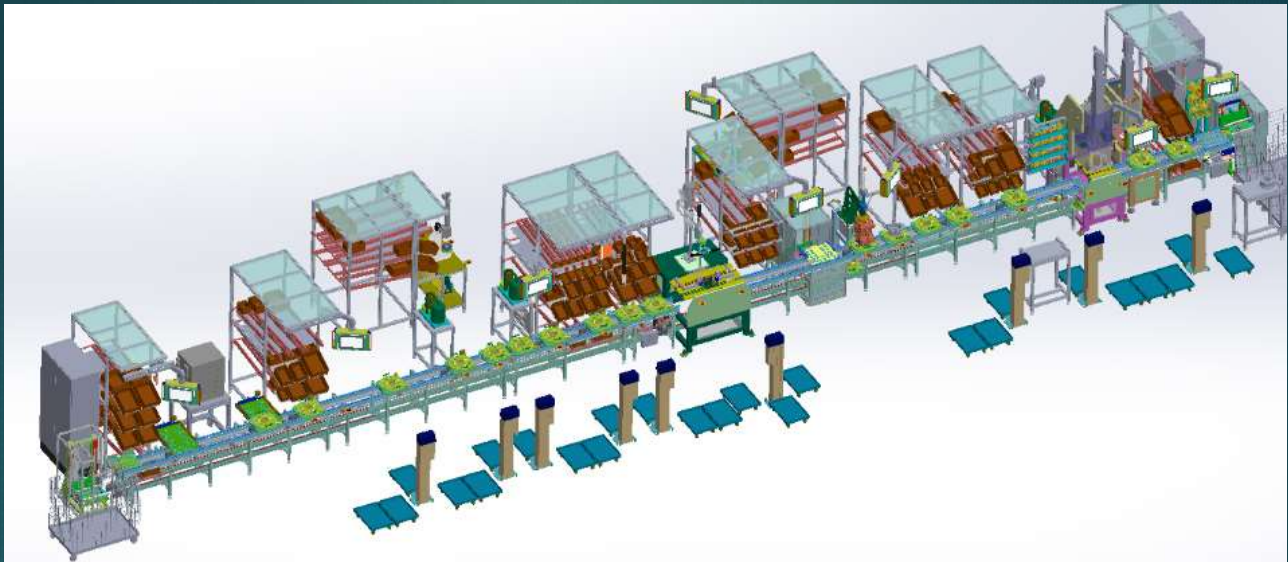
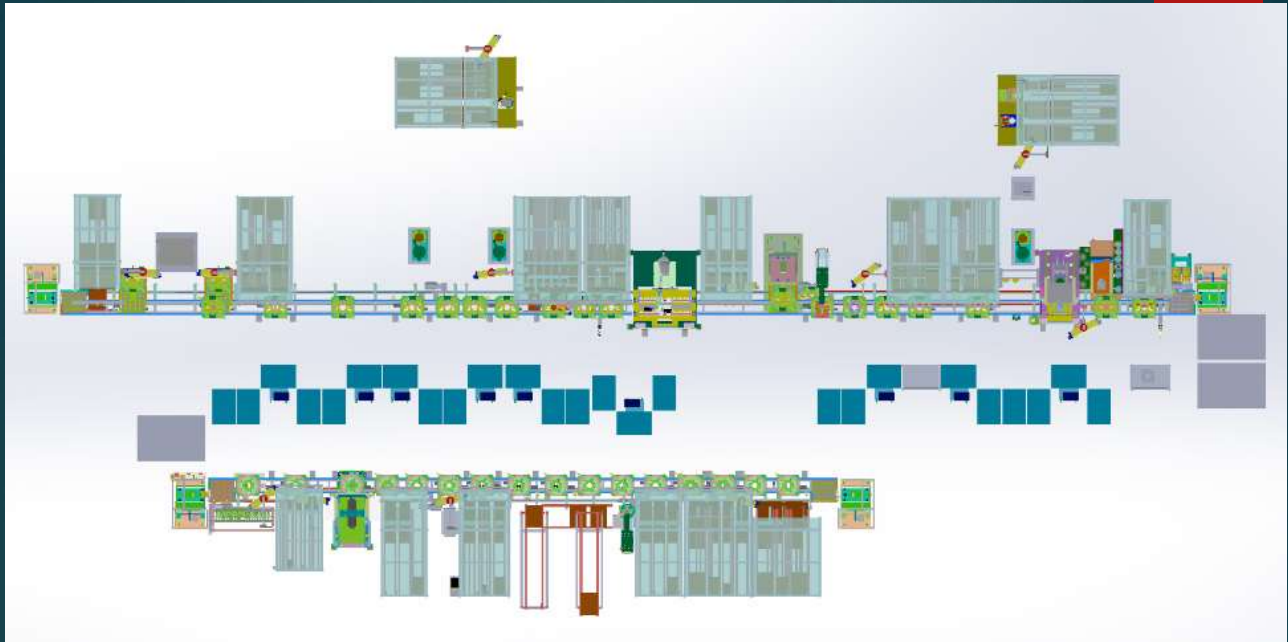


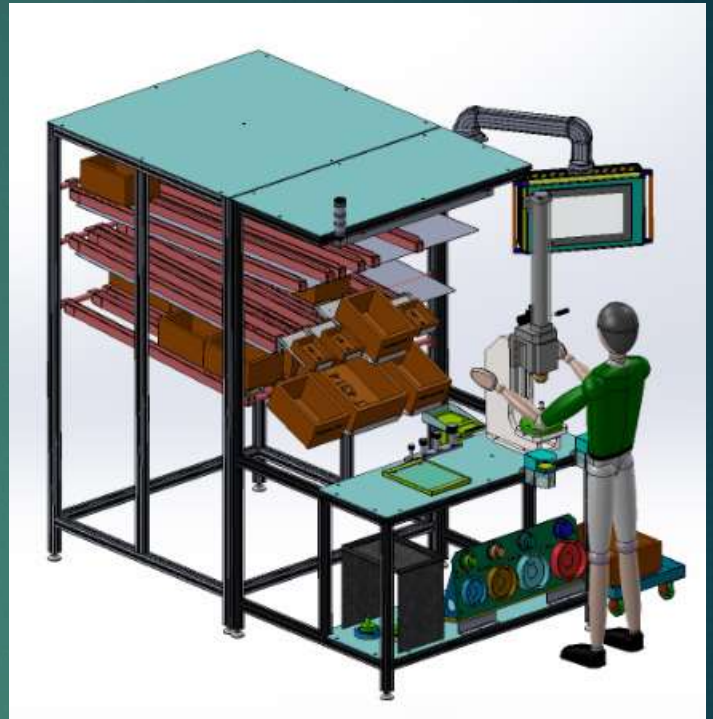
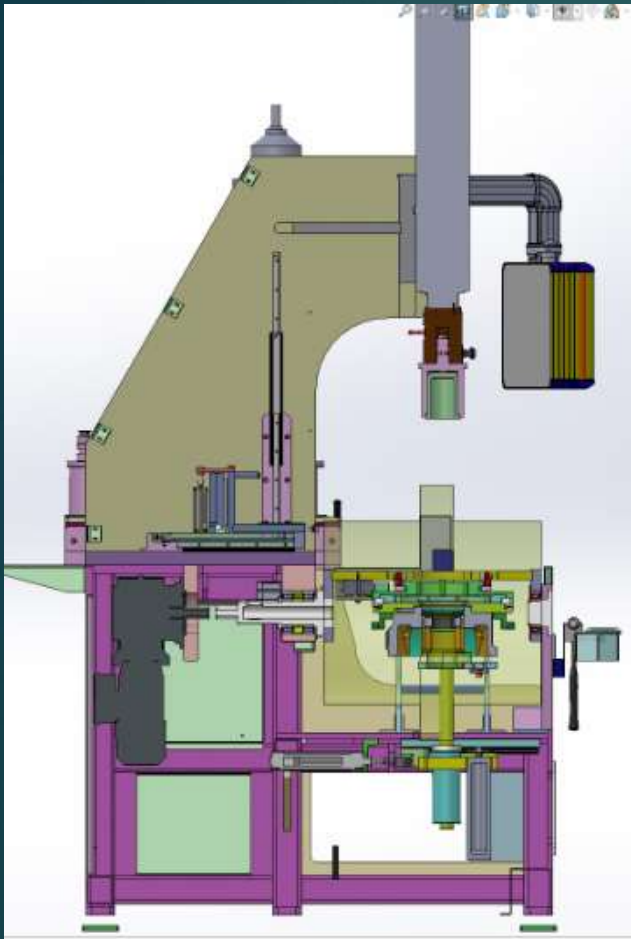


ASSEMBLY LINES

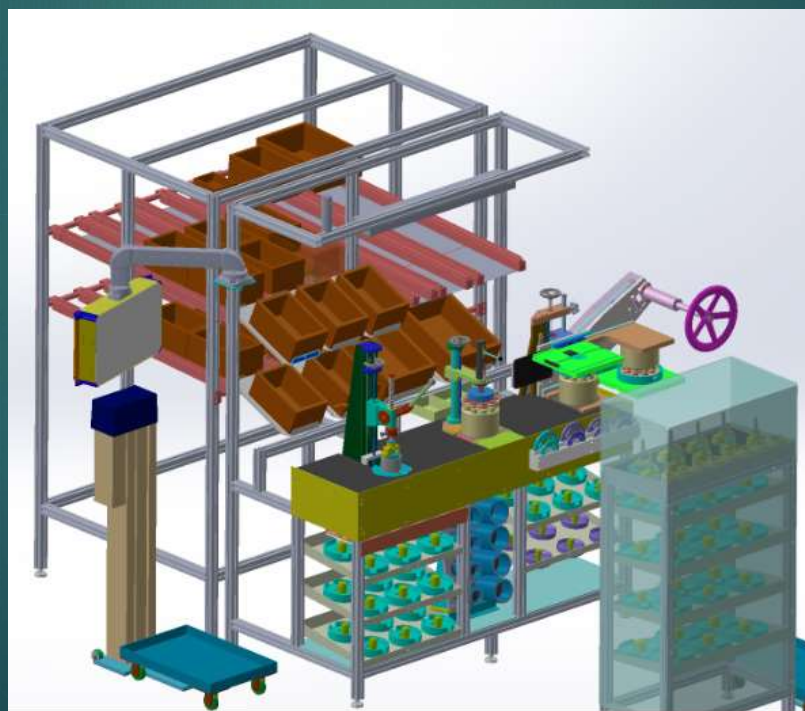


# ASSEMBLY LINES



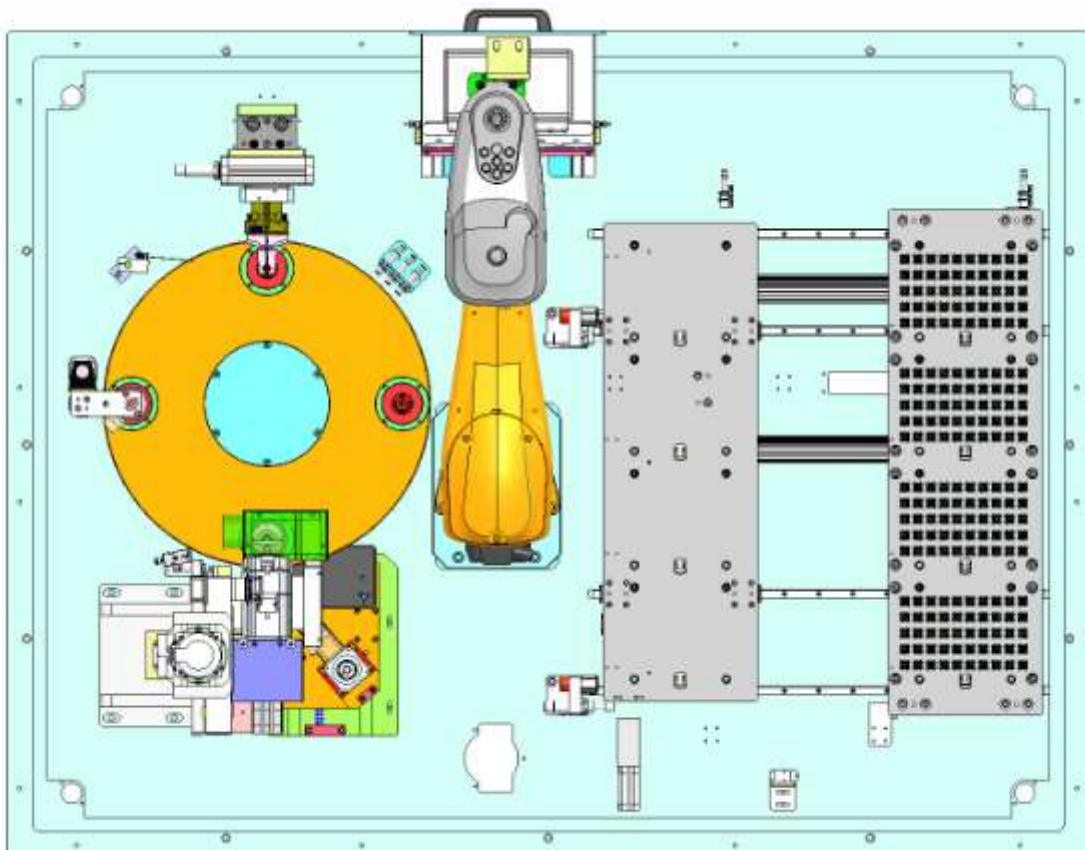
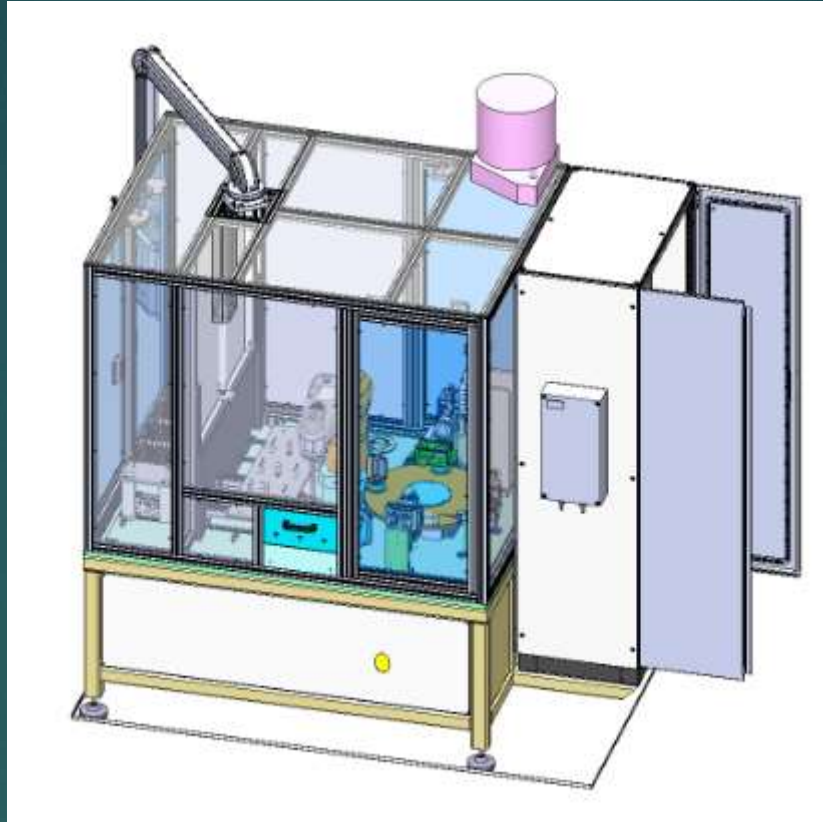


## PRESS MACHINES SPECIFIC TO THE PRODUCT

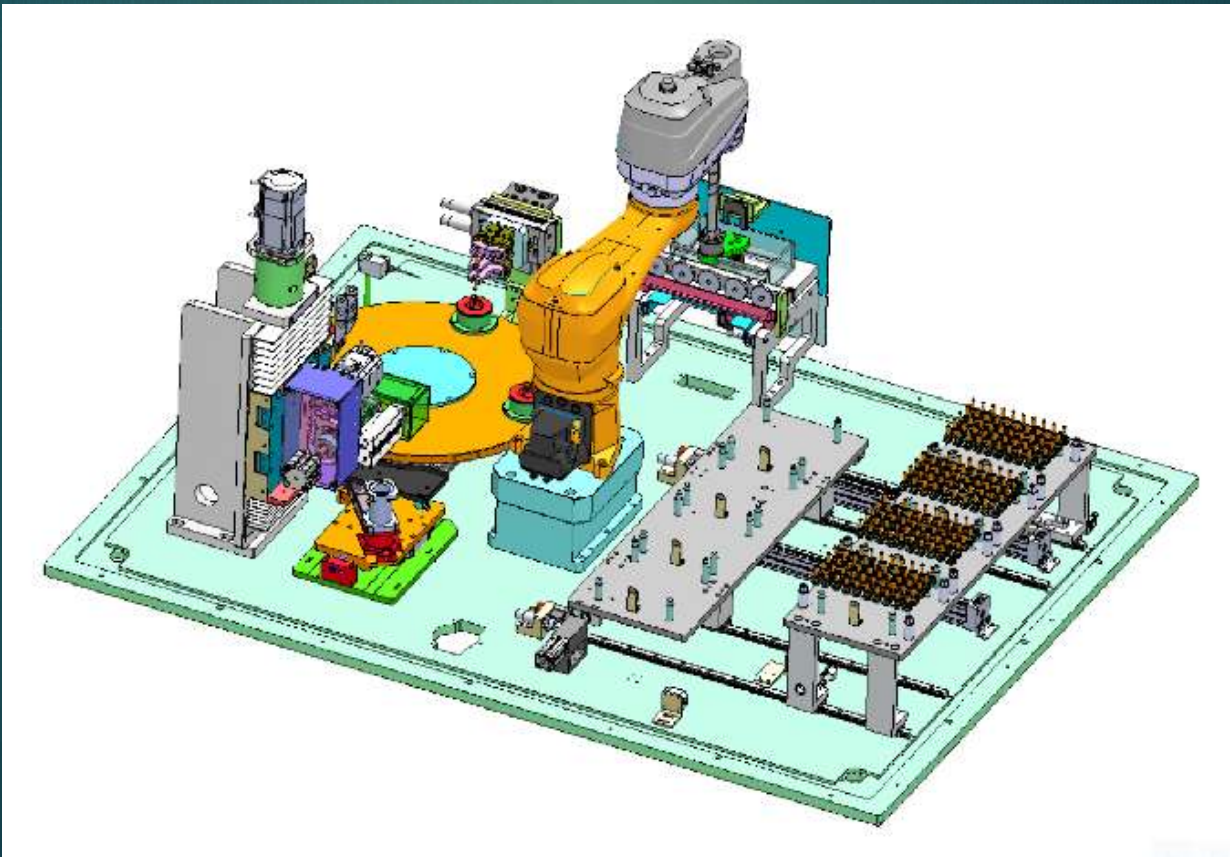
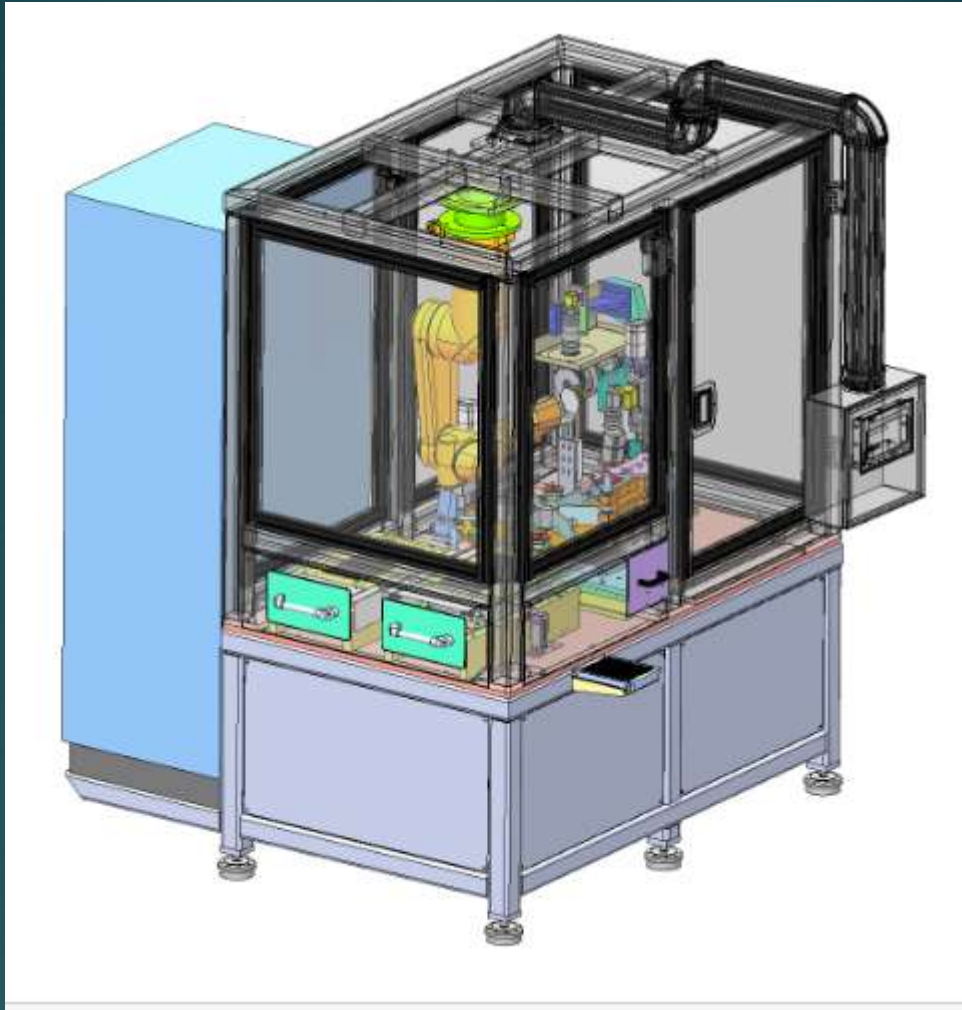




# MEASUREMENT AND CONTROL SYSTEMS







# PRODUCT HANDLING SYSTEMS









# METAL CONSTRUCTION





# HAMMER GRINDER MACHINES



Our Vision: Our goal is to be an exemplary company that uses the sector's experiences to keep up with the changes of the era, looks for difference in the automation sector, makes a difference and prioritizes efficiency.

Our Mission: To be an organization that achieves optimum results in the minimum time you need.



  
*Makine Endüstriyel Otomasyon Sistemleri*

**YOUR RELIABLE SOLUTION PARTNER**